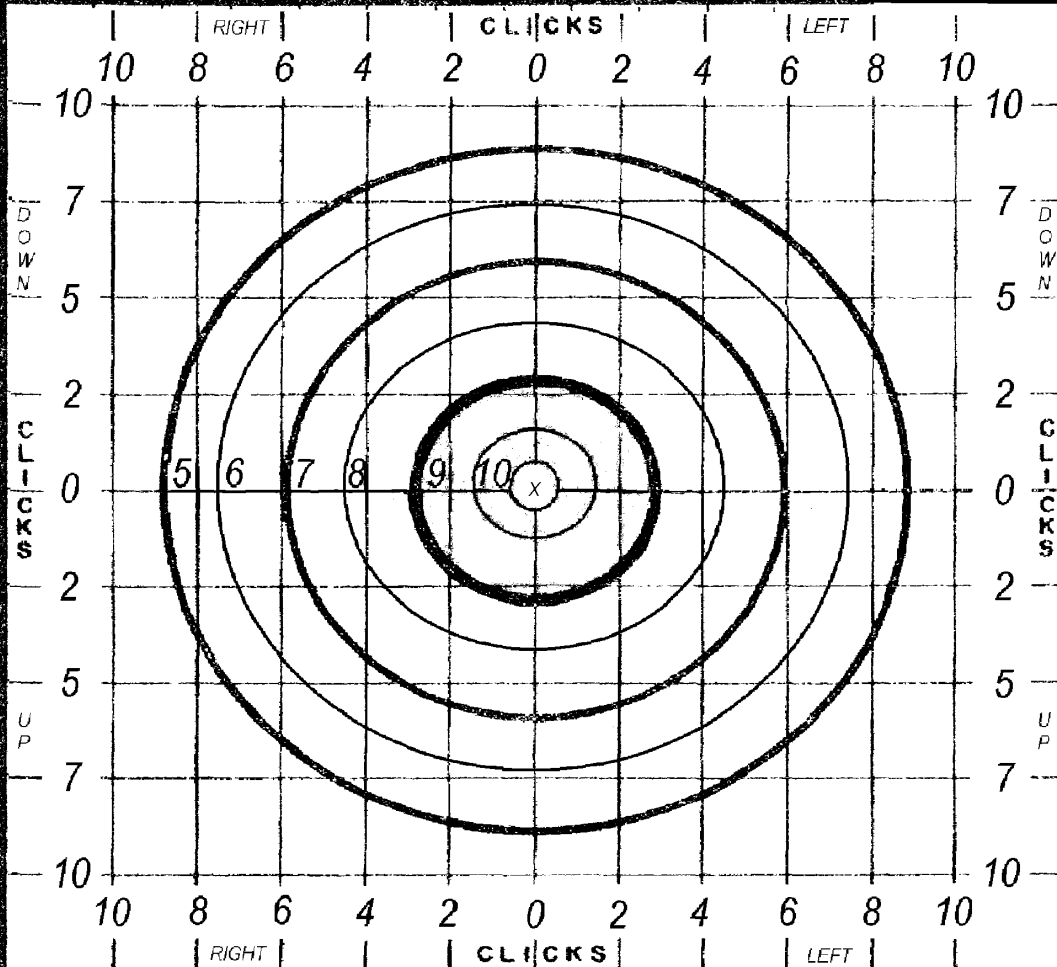


— 00 YARDS

SLOW - FIRE

PRONE / STANDING



NO	ELEV	WIND	CALL	VAL	NO	ELEV	WIND	CALL	VAL
1				0 X 0 M	6				0 X 0 M
2				0 X 0 M	7				0 X 0 M
3				0 X 0 M	8				0 X 0 M
4				0 X 0 M	9				0 X 0 M
5				0 X 0 M	10				0 X 0 M

ELEV	CORR ELEV	SIGHTERS			
WIND	CORR WIND				

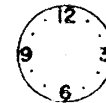
RANGE	TARGET NO.	DATE	HOUR	TEMP	AMMO LOT NO.
-------	------------	------	------	------	--------------

REMARKS

LIGHT COND & DIR  
 SUNNY  
 CLOUDY  
 PARTLY CLOUDY  
 OTHER \_\_\_\_\_



WIND VEL & DIR  
 0-5    15-20  
 5-10    25+  
 10-15



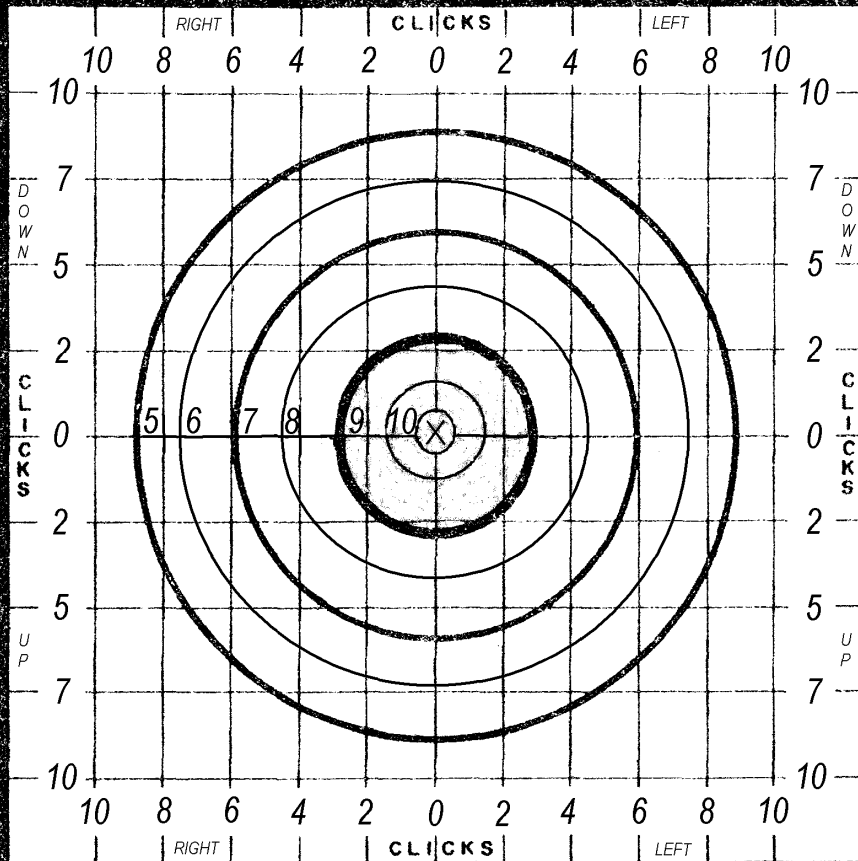
ANGLE FLAG/4-  
MPH

\_\_\_ 00 YARDS

RAPID - FIRE

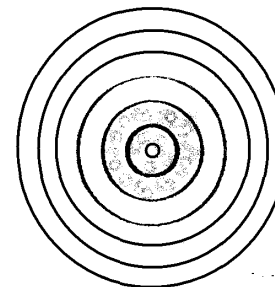
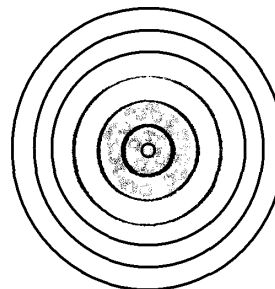
PRONE

SITTING



CALL

CALL



PRONE					SITTING				
1	2	3	4	5	1	2	3	4	5
0 X	0 X	0 X	0 X	0 X	0 X	0 X	0 X	0 X	0 X
0 M	0 M	0 M	0 M	0 M	0 M	0 M	0 M	0 M	0 M
6	7	8	9	10	6	7	8	9	10
0 X	0 X	0 X	0 X	0 X	0 X	0 X	0 X	0 X	0 X
0 M	0 M	0 M	0 M	0 M	0 M	0 M	0 M	0 M	0 M

ELEV USED      CORR ELEV USED      WIND USED      CORR WIND USED

REMARKS

RANGE	TARGET NO.	DATE	HOUR	TEMP	AMMO LOT NO.
-------	------------	------	------	------	--------------

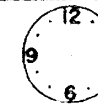
LIGHT COND & DIR

SUNNY  
 CLOUDY  
 PARTLY CLOUDY  
 OTHER \_\_\_\_\_



WIND VEL & DIR

0 - 5      15 - 20  
 5 - 10      25 +  
 10 - 15



ANGLE FLAG/4= MPH